

RAPID-EPS

PRODUCT DATA SHEET FOR **RAPID POST**

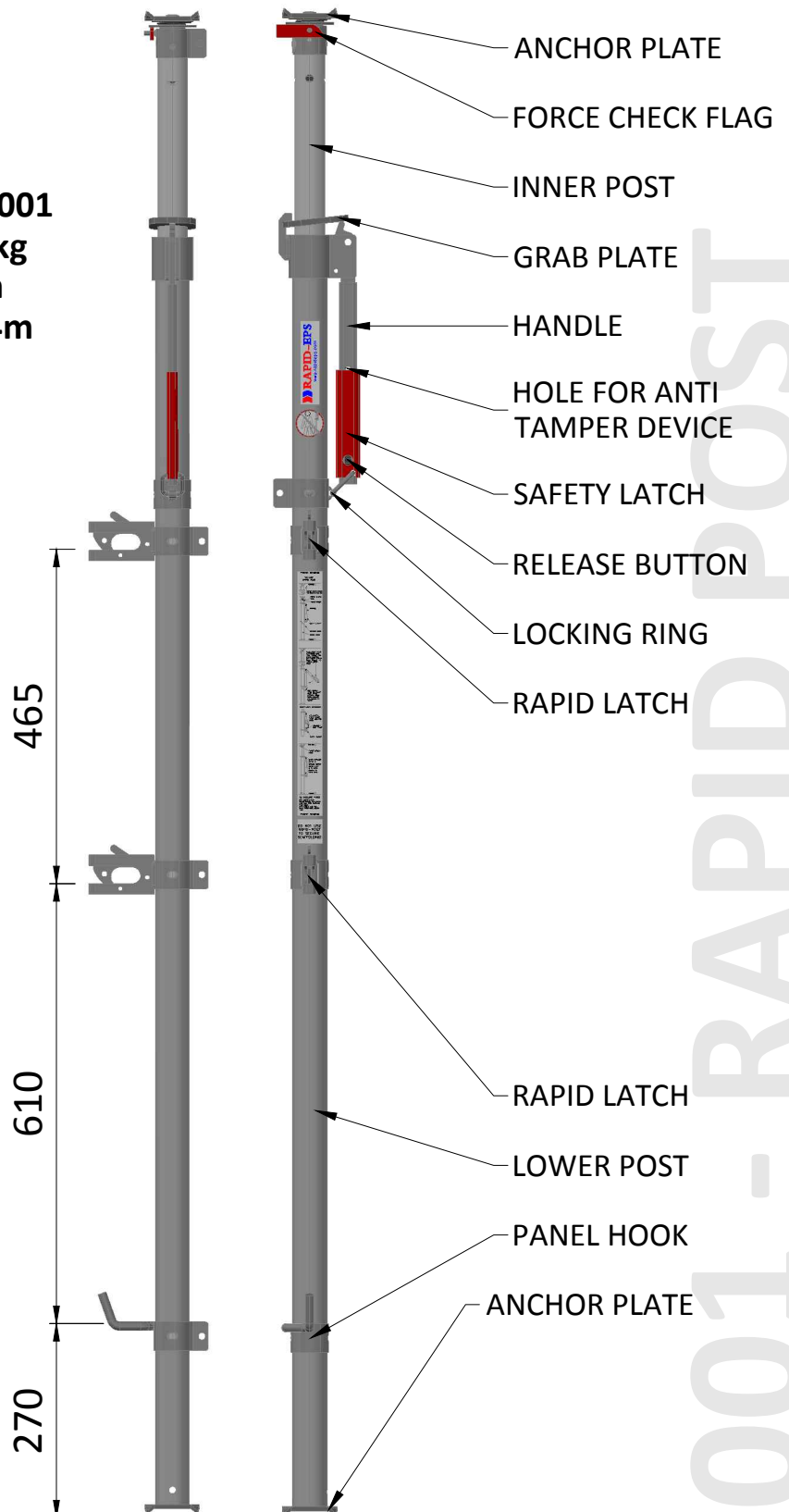
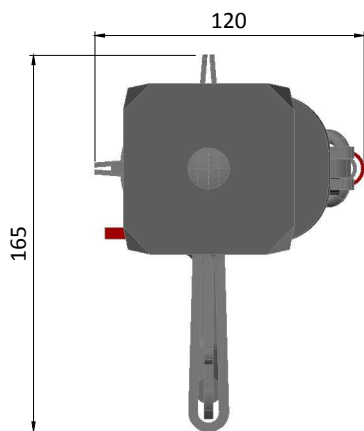
PRODUCT CODE	EU001
WEIGHT	12kg
CLOSED HEIGHT	2m
MAX. EXTENDED HEIGHT	3.4m

FINISH

SAFETY LATCH AND FORCE CHECK
FLAG POWDER COATED RED
INNER AND OUTER POSTS
GALVANISED
BOLT ON PARTS ZINC
PLATE AND PASSIVATE

COMPLIES WITH

BS EN 13374 2013 CLASS A
BS EN 13374 2013 CLASS B



RAPID-Edge Protection Systems Ltd.

T: 0113 252 8883 | F: 0113 307 4990 | W: rapideps.com
UNIT D TREEFIELD INDUSTRIAL ESTATE, GELDERD ROAD, GILDERSOME, LEEDS, LS27 7JU

2014 COPYRIGHT IN THIS DRAWING BELONGS TO RAPID EDGE PROTECTION SYSTEMS LTD. AND SHOULD NOT BE COPIED OR SHOWN TO THIRD PARTIES WITHOUT THE EXPRESS PERMISSION OF RAPID EDGE PROTECTION SYSTEMS LTD.



**MADE IN
BRITAIN**

EU001 - RAPID POST