

## CONFINED SPACE TRIPOD

### Product Codes

2002224

### DESCRIPTION

Tripod for confined space entry. Pulleys route the cables centrally through the tripod head giving a clean line of pull for the lowering and rescue devices.

Fall Arrest and Recovery device and personal load winches can be mounted with the appropriate brackets.

### SPECIFICATION

EN795

High functional stability

High quality and reliability

Load carrying capacity: 2 persons max.

Foldable rubber feet

For use with SpanSet fall arrest and rescue devices

For use with SpanSet Load and Personnel winches: 2002227

Corrosion resistant coating

Two eye bolts in the head of the tripod

Stainless steel leg locking pins

Mountable accessories available

### MATERIALS

- Aluminium Construction

### TYPE APPROVAL

EN795

### NOTE(S)

Suitable for use as part of a fall protection system.

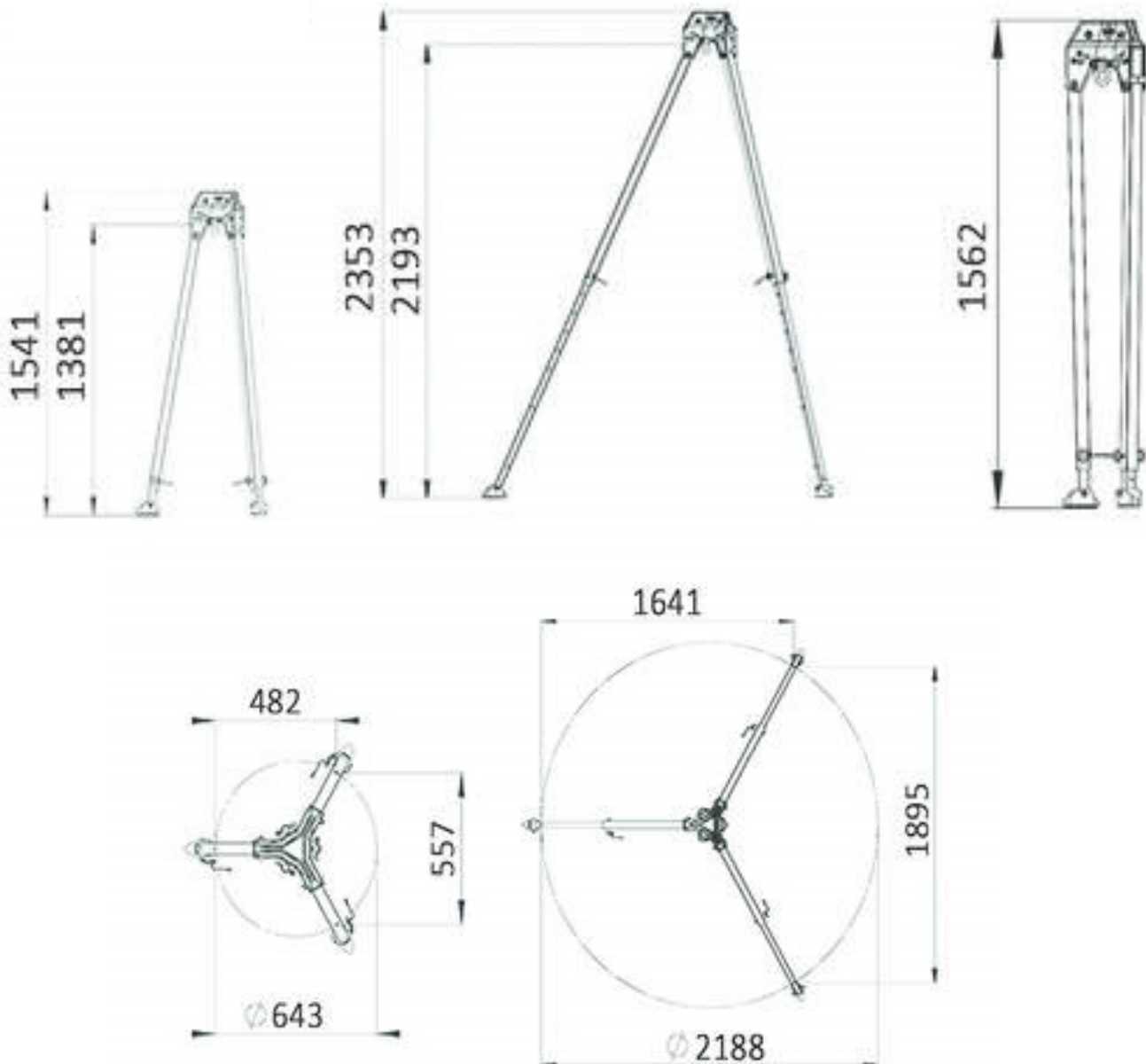
10 year maximum lifespan



## CONFINED SPACE TRIPOD

### Product Codes

2002224



## CONFINED SPACE TRIPOD BRACKET

### Product Codes

2002225

### DESCRIPTION

Mounting bracket for Fall Arrest and Recovery devices to be used with SpanSet Tripods.

### SPECIFICATION

Bracket to connect a Saverline Recsue and Recovery Block (up to 60m) to an SpanSet Tripod  
1.8kg

### MATERIALS

- Aluminium Construction

### TYPE APPROVAL

N/A

### NOTE(S)

Suitable for use as part of a fall protection system.

10 year maximum lifespan



---

## CONFINED SPACE TRIPOD BRACKET

---

### Product Codes

2002226

### DESCRIPTION

Mounting bracket for Personal and Load winch to be used with SpanSet Tripods.

### SPECIFICATION

Bracket to connect a Saverline Personal and Load Winch (up to 30m) to an Span-Set Tripod  
1.8kg

### MATERIALS

- Aluminium Construction

### TYPE APPROVAL

N/A

### NOTE(S)

Suitable for use as part of a fall protection system.

10 year maximum lifespan



## CONFINED SPACE TRIPOD BRACKET

### Product Codes

2002227

### DESCRIPTION

Personal and Load winch to be used with SpanSet Tripods and Davits

### SPECIFICATION

Hand crank cable winch for easy and jerk-free lifting and lowering of persons and goods

- Maximum nominal load: 300 kg
- Stainless steel rope with  $\varnothing$  6 mm (minimum breaking force 18,76 kN)
- Cable length max. 30 m
- Crank length 250 mm
- Weight load winch approx 18,5 kg

### MATERIALS

- Aluminium Construction

### TYPE APPROVAL

EN1808: 2015

