

Horizontal Safety Line (HSL-LL or HSL-HH)

Description

The SpanSet Horizontal Safety Line is a temporary anchorage line, designed for use in conjunction with compatible fall arrest and work restraint equipment. It provides a lightweight and easily installed anchorage solution for a wide variety of situations.

Integral storage bag provides UV, abrasion and dirt protection to the line whilst not in use.

Technical Information

- 20m Maximum Working Length
- Anchorages should be rated to 15kN
- Designed for single person use in Fall Arrest
- Multiple users acceptable for Work Restraint
- 2 HSL's can be used as Work Positioning Anchor



Standards This Product Has Been Approved To

EN795: 1996 Class C

Recommended Associated Products

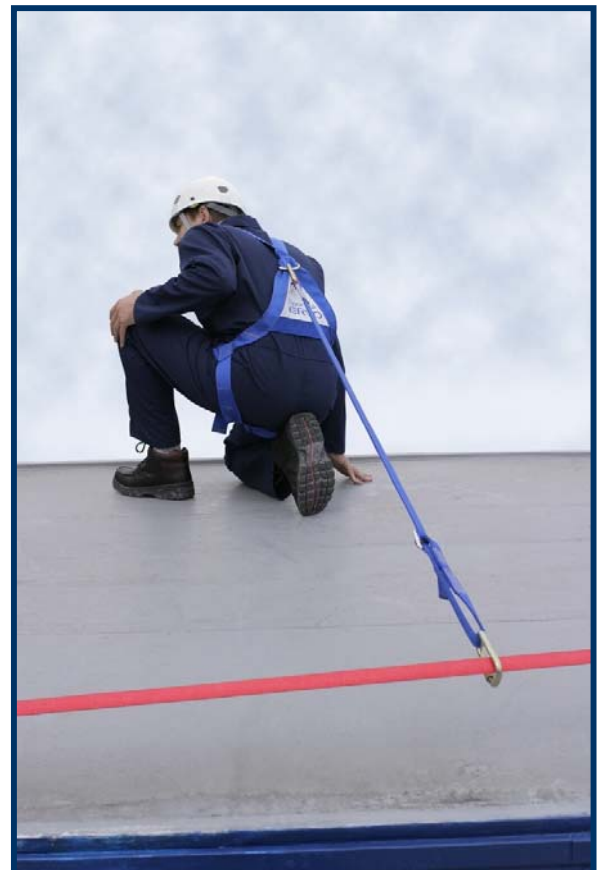
T-Pak Fall Arrest Lanyards
Rope Restraint Lanyards
CLIMA Work Position Line

Specification (Materials)

35mm Polyester Web (6200kg)
50mm Polyester Web (6600kg)
Steel Ratchet (5000kg)
Swivel Hook (45kN)

Spanset Product Are Supplied With As Standard

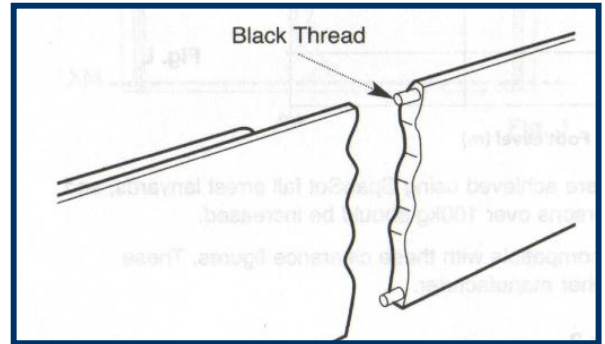
- Product History Card (Certification and Inspection Record)
- Individually Serial Numbered for Traceability
- Pocket Inspection Guide



Wear Indicator

When in use all horizontal line systems will be worn by the connector travelling along the length of the line.

- The HSL has an built in wear indicator to allow end users to assess the level of wear during their pre use inspection.
- When the black thread is exposed the line should be removed from service.

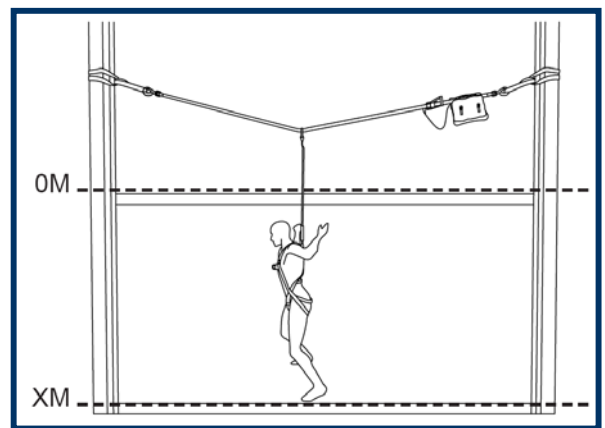


Deflection and Clearance Height

When using Horizontal Anchorage Line the clearance height below the users is critical.

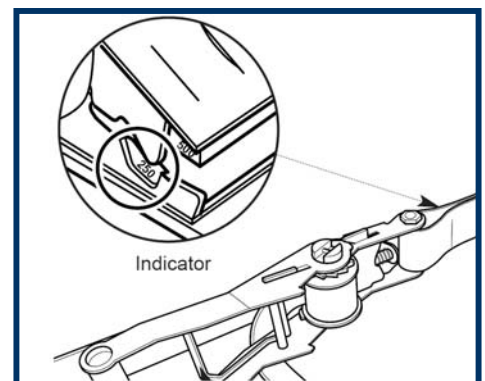
The clearance requirements for the HSL can be calculated easily from the following information:

1. Working length of the HSL in use
2. Height above foot level at which HSL is positioned
3. Length of lanyard which the operative is using



Tension Force Indicator

- The TFI enables users to prove that they have installed the line correctly
- When calculating clearance heights it is essential you know the tension in the anchor line
- The TFI is another Patented SpanSet Innovation [GB 2 269 623 B](#)



Use Of The Line With 2 Persons

The HSL has also been tested and approved for two-person use. This was achieved by loading the centre of the line with 26kN (2650kg). To ensure the safety of two users on the HSL, the minimum clearance values given below must be adhered to at all times.

| HSL Position Above User Foot Level | 2m | 1.25m | 0m |
|--|------|-------|-------|
| MINIMUM clearance required below users feet. | 8.0m | 8.75m | 10.4m |
| Ensure that anchor points are adequate, at least 30kN. | | | |